

DI-M9301

Digital Single Input and Output Module



Description

DI-M9301 Digital Single Input and Output Module provides dry contact output (normally open and/or normally closed) following command from fire alarm control panel, also possible receives switch signal (dry contact) from field equipment and transmits to FACP. The input and output can be programmed to monitor and control the same or different equipment.

Features and Benefits

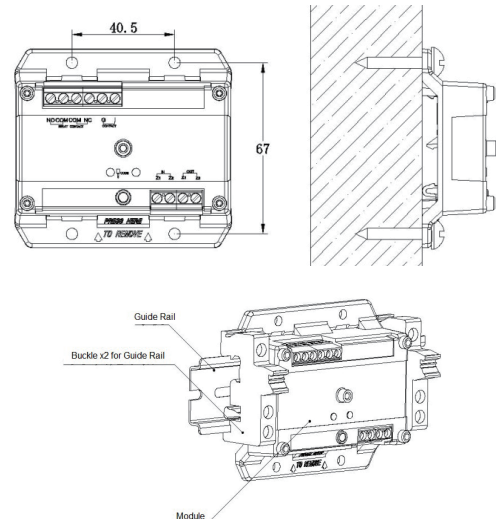
- Input port monitored with 4.7KΩ EOLR
- Normally open or normally closed contact acceptable
- Input port co-operates with output or works individually
- Electronically addressed. Addresses can be modified in field
- Built-in microprocessor and AD sampling technology
- Rail mount or surface mount

Certificates and Compliance

- Standards: UL864 / NFPA [70.72]
- Certifications: UL
- WEEE & RoHS Compliant

Installation

The installation points of the module are shown below, Wall-mount and Rail-mount. DIN-35mm rail is applicable.



Recommended Cabling

(Z1, Z2) IN & OUT: Loop (SLC) connection, In & Out, non-polarized
 I, G: Contact input, non-polarized
 COM, NO, NC: Dry contact output terminals, Normally-open or Normally-closed
 Recommended Cabling: Minimum 17 AWG, Maximum 14AWG twisted pair cable, and subject to local codes.

IMPORTANT: This publication is a generic version in which product information is shown for informational purposes only and does not constitute a specific commitment or guarantee. We are constantly pursuing the improvement of product technology to improve product performance, for which we reserve the right to adjust the configuration and technical information of the related products without notice. In addition, the description of system performance in this publication applies only to the usual situation. As a result, there may be a variety of unpredictable special circumstances in the real world, so the realization of the relevant product performance will depend on the professional investigation and analysis and the design plan. Please contact us and we will be happy to provide you with professional advice.

Application

The module is electronically programmable. Set the address and input parameter by handheld programmer P-9910B. The input can be N/O (default), N/C or self-confirm.

Parameter (Function-3)	Input Mode
1	Self-confirm
2	Normally-Closed
Other numbers (Default)	Normally-Open

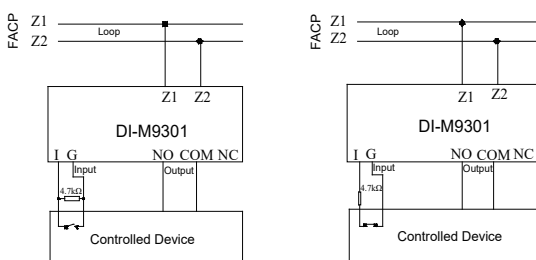
The module address quantity also can be set by handheld programmer. The input and output will take individual addresses when taking continuous 2 addresses. The input port takes the 1st address, and the output port takes the 2nd. The input and output will take the same address under single address mode.

Parameters (Function-4)	Address QTY
2	2
Other numbers (Default)	1

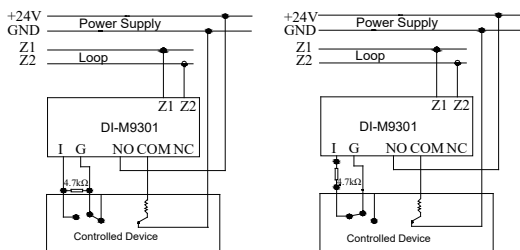
The operation can be done either through the clips-link to the terminals (Z1&Z2), or through the earphone-link to the 3.5mm code-jack.

Below figures show the connections of the module. A 1-Watt 4k7 End of Line Resistor is required to the input port.

Dry contact output, Normally-open/closed input



Powered output, Normally-open/closed input



Technical Specification

Operating Voltage	Loop 24VDC (16VDC - 28VDC) Power Limited
Standby Current	≤ 0.28mA
Action Current	Loop ≤ 0.7mA
Output Capacity	2A @ 30 VDC, 0.35PF Normally-open/Closed
Input line impedance	Maximum 25Ω each wire
Programming	Electronically addressing
Address Range	1 address, from 1 to 242 2 addresses, from 1 to 241
Indicator	Input LED: Red. It lights in receiving feedbacks, lights 0.5s on, 0.5s off when input faults, and flashes in other states. Output LED: Red. It lights in relay action, turns off in other states.
Ingress Protection Rating	IP30 (not tested by UL)
Operating Temperature	0°C ~ +49°C
Relative Humidity	≤ 93%, Non Condensing
Material and Color of Enclosure	ABS, white (RAL9016)
Dimension (L×W×H)	85.3mm×78mm×33mm
Weight	About 66.5g

Order Information and Compatible Products

Part No.	DI-M9301
Device Name	Digital Single Input and Output Module
Product No.	10105375
Compatible Panel	GST-M200 Intelligent Fire Panel GST-IFP4M Intelligent Fire Panel

Accessories and Tools



Part No.: P-9910B
Device name: Handheld Programmer
Product No.: 10104894